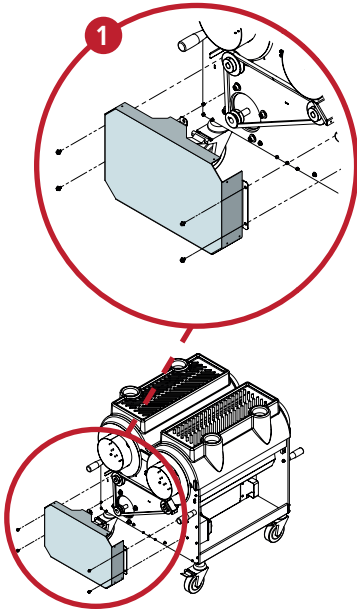


ASSEMBLY - GLADIATOR SPEED CONTROL BOX

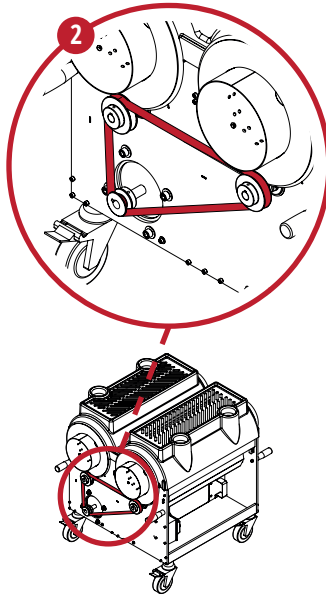
- * The Speed Control Box is not waterproof. Before washing your trimmer, remove the control box using the wing nuts and quick disconnect cable.
- * The Speed Control Box comes with a 2 years warranty.
- * Make sure the machine is unplugged.

STEP 1 REMOVE BELT COVER.

5/32" T-HANDLE ALLEN WRENCH.

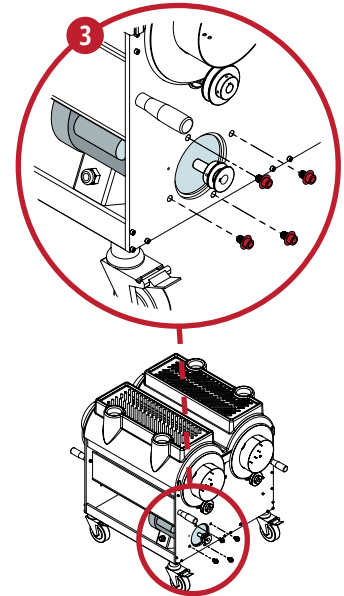


STEP 2 USE A PRYBAR OR SCREWDRIVER TO REMOVE BELT FROM PULLEYS. TO AVOID DAMAGE, DO NOT PRY AGAINST BEARING.



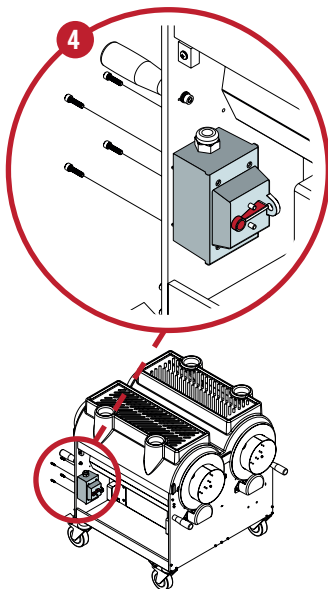
STEP 3 UNSCREW THE 4 MOUNT BOLTS TO THE RELEASE MOTOR.

5/16" T-HANDLE ALLEN WRENCH.



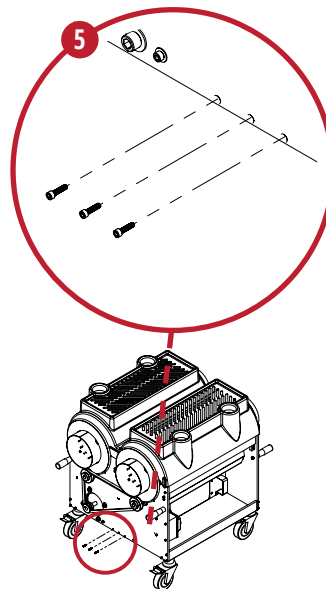
STEP 4 REMOVE SWITCH BOX USING AN ALLEN WRENCH TO REMOVE THE FOUR MOUNT SCREWS.

5/32" T-HANDLE ALLEN WRENCH.



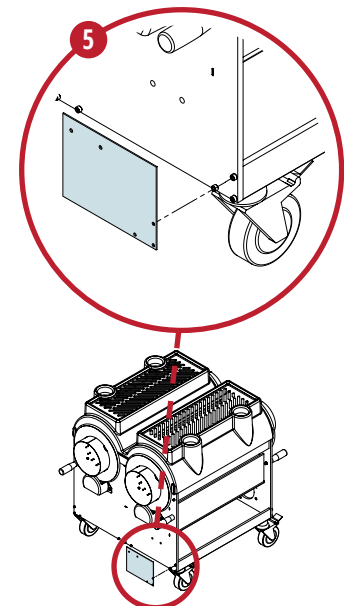
STEP 5 REMOVE 3 SCREWS FROM PULLEY SIDE OF TRIMMER. SLIDE SWITCH BOX AND WIRE PAST LOOSE PLATE THEN RE-ATTACH PLATE.

5/32" T-HANDLE ALLEN WRENCH.



STEP 6 USE SUPPLIED DRILL TEMPLATE AND DRILL BIT TO DRILL 2 HOLES ON THE SIDE PLATE OPPOSITE OF THE MOTOR.

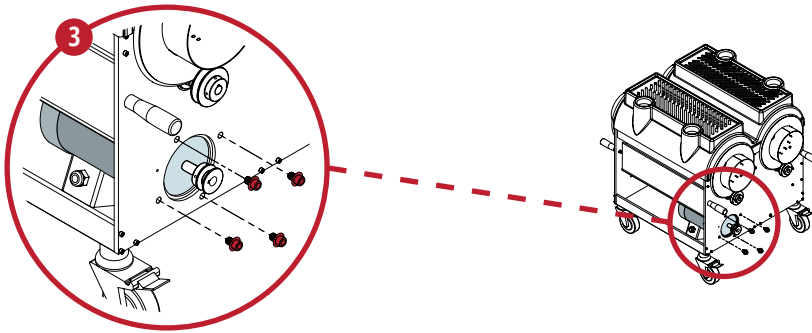
5/16" DRILL BIT.



ASSEMBLY - GLADIATOR SPEED CONTROL BOX

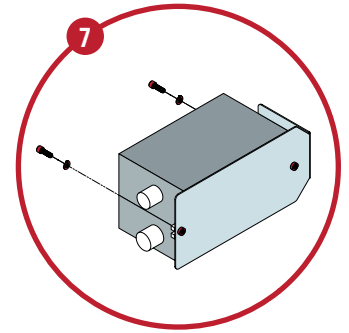
STEP 6

PLACE NEW MOTOR ON FLOOR NEXT TO TRIMMER. WITH 2 PEOPLE, USE HANDLES TO LIFT TRIMMER UP TO REMOVE OLD MOTOR FROM UNDERNEATH THEN LIFT TRIMMER OVER NEW MOTOR WITH NEW PULLEY. INSTALL WITH THE FOUR MOUNT BOLTS. FACE MOTOR WIRE BOX INWARD.
5/16" T-HANDLE ALLEN WRENCH.



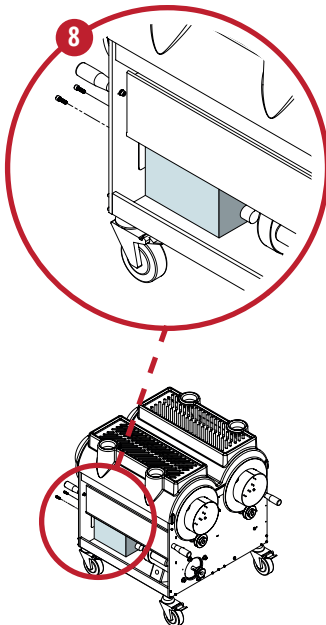
STEP 7

INSTALL CONTROL BOX ONTO THE CONTROL BOX MOUNT PLATE USING 2 SCREWS.
3/16" T-HANDLE ALLEN WRENCH.



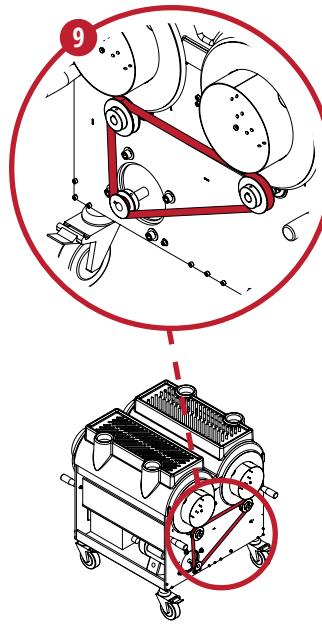
STEP 8

INSTALL CONTROL BOX MOUNT PLATE USING 2 NEW DRILLED HOLES WITH 2 NEW SCREWS. ORIENTATE CONTROL BOX AS SHOWN.
5/32" T-HANDLE ALLEN WRENCH.



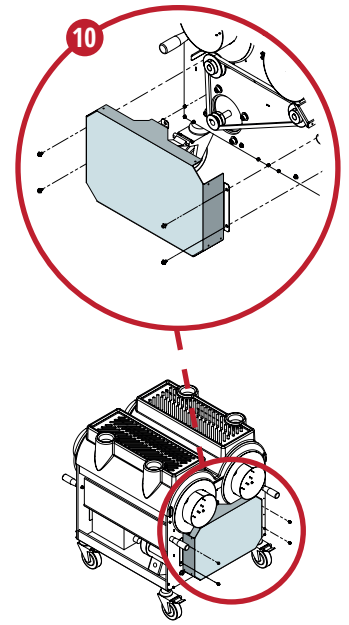
STEP 9

INSTALL NEW BELT ONTO THE PULLEYS USING A PRYBAR OR SCREWDRIVER. ADJUST PULLEY ALIGNMENT SO THAT BELT RUNS STRAIGHT.
TO AVOID DAMAGE, DO NOT PRY AGAINST BEARING.



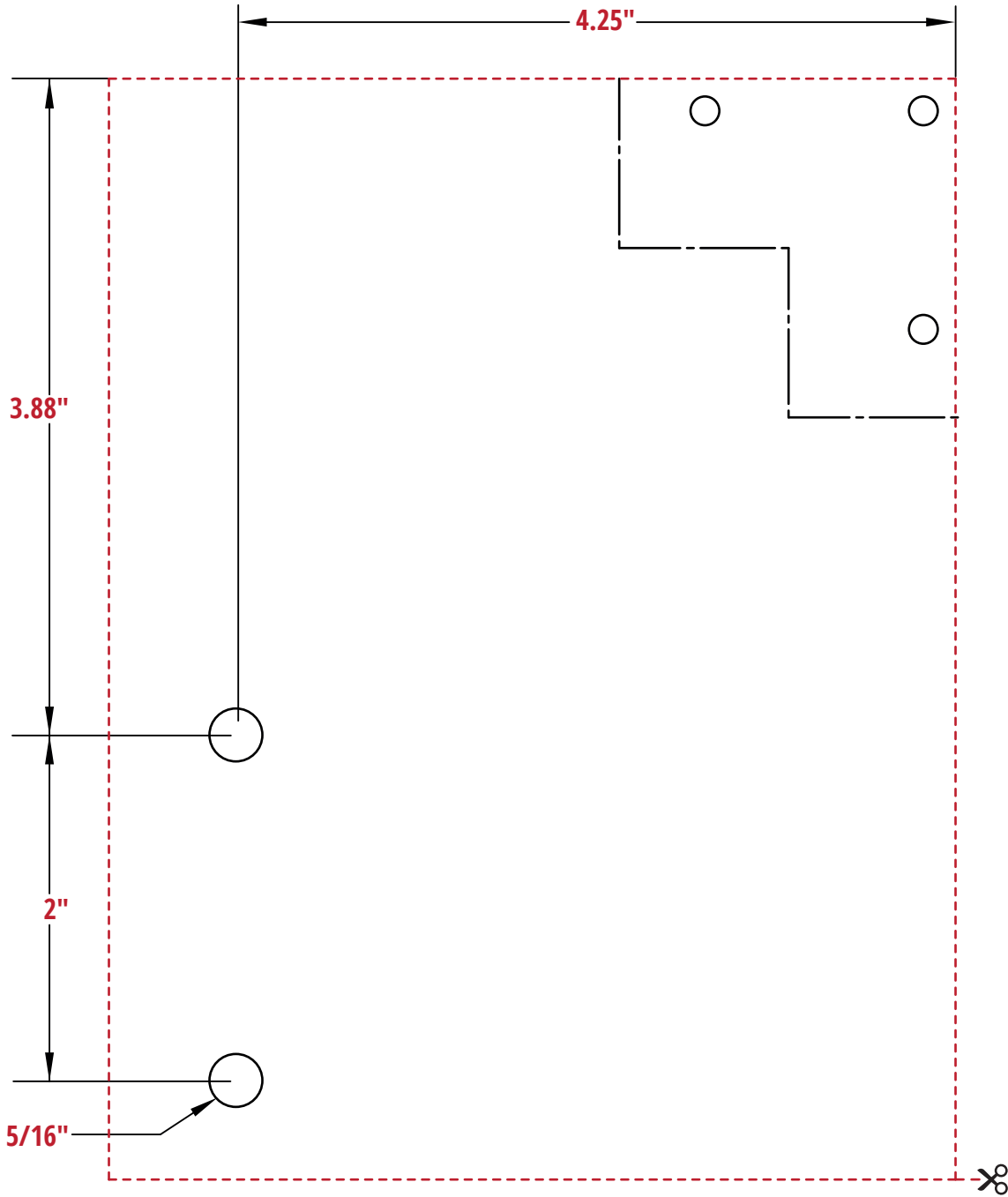
STEP 10

RE-INSTALL BELT COVER.
5/32" T-HANDLE ALLEN WRENCH.



ASSEMBLY - GLADIATOR DRILL TEMPLATE

* Template made to scale.



* ONLY CUT
ALONG RED
DOTTED LINE.

TOOLS REQUIRED

SIZE	TOOL ITEM
	Drill
5/16"	Drill Bit (Included)
5/32"	T-Handle Allen Wrench
3/16"	T-Handle Allen Wrench
5/16"	T-Handle Allen Wrench

LEARN HOW NOW

