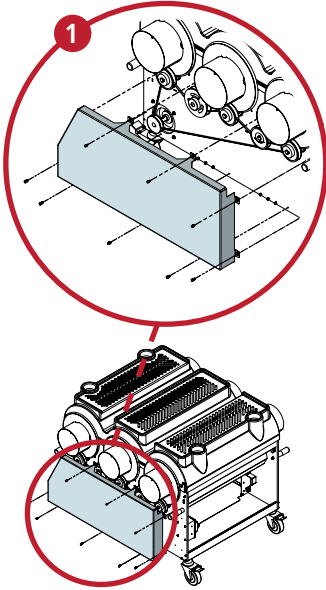


## ASSEMBLY - 3.0 SPEED CONTROL BOX

- \* The Speed Control Box is not waterproof. Before washing your trimmer, remove the control box using the wing nuts and quick disconnect cable.
- \* The Speed Control Box comes with a 2 years warranty.
- \* Make sure the machine is unplugged.

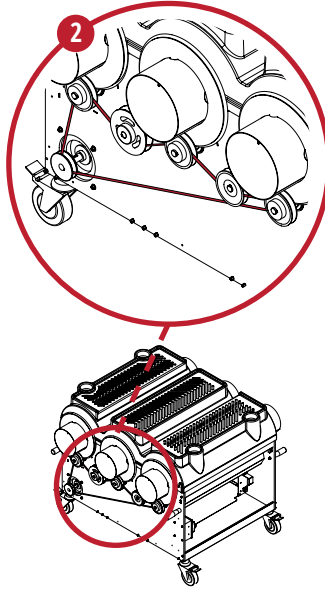
### STEP 1 REMOVE BELT COVER.

5/32" T-HANDLE ALLEN WRENCH.



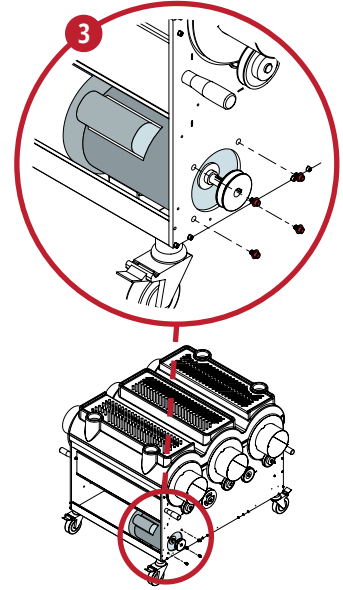
### STEP 2 USE A PRYBAR OR SCREWDRIVER TO REMOVE BELT FROM PULLEYS.

TO AVOID DAMAGE, DO NOT PRY AGAINST BEARING.



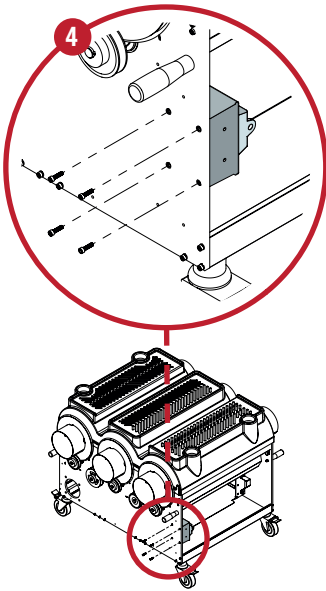
### STEP 3 REMOVE PULLEY (NOTE POSITION) FROM MOTOR. UNSCREW 4 MOUNT BOLTS TO RELEASE MOTOR.

5/16" T-HANDLE ALLEN WRENCH.



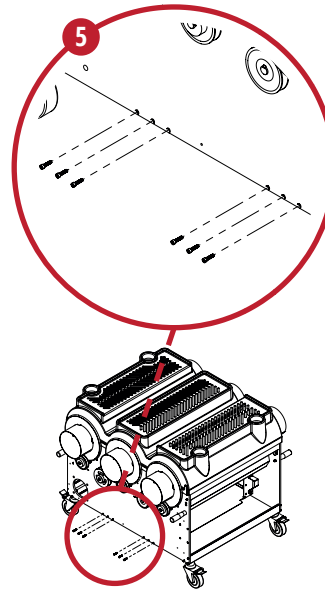
### STEP 4 REMOVE SWITCH BOX USING AN ALLEN WRENCH TO REMOVE THE FOUR MOUNT SCREWS.

5/32" T-HANDLE ALLEN WRENCH.



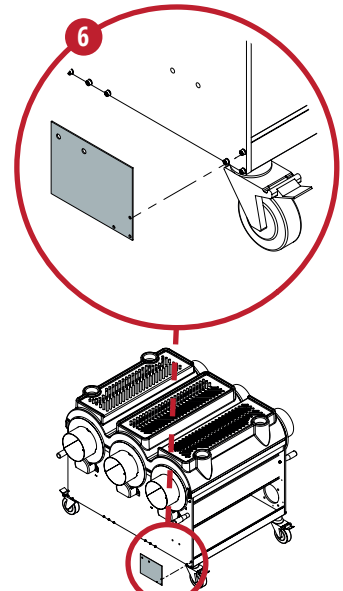
### STEP 5 REMOVE 6 SCREWS FROM MOTOR SIDE OF TRIMMER. SLIDE SWITCH BOX AND WIRE PAST LOOSE PLATES THEN RE-ATTACH PLATES.

5/32" T-HANDLE ALLEN WRENCH.



### STEP 6 USE SUPPLIED DRILL TEMPLATE AND DRILL BIT TO DRILL 2 HOLES ON THE SIDE PLATE OPPOSITE OF THE MOTOR.

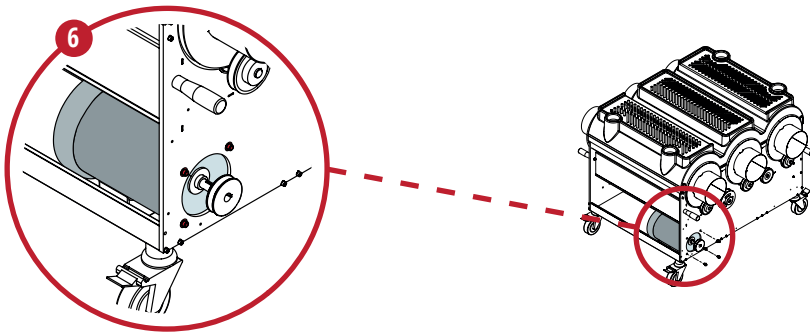
5/16" DRILL BIT.



## ASSEMBLY - 3.0 SPEED CONTROL BOX

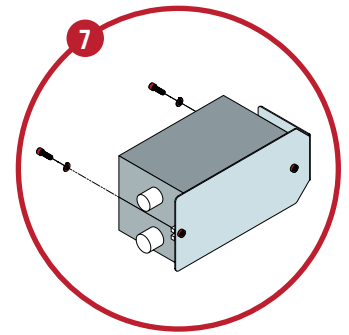
### STEP 6

PLACE NEW MOTOR ON FLOOR NEXT TO TRIMMER. WITH 2 PEOPLE, USE HANDLES TO LIFT TRIMMER UP TO REMOVE OLD MOTOR FROM UNDERNEATH THEN LIFT TRIMMER OVER NEW MOTOR AND INSTALL WITH THE FOUR MOUNT BOLTS. FACE MOTOR WIRE BOX INWARD. INSTALL PULLEY.  
5/16" T-HANDLE ALLEN WRENCH.



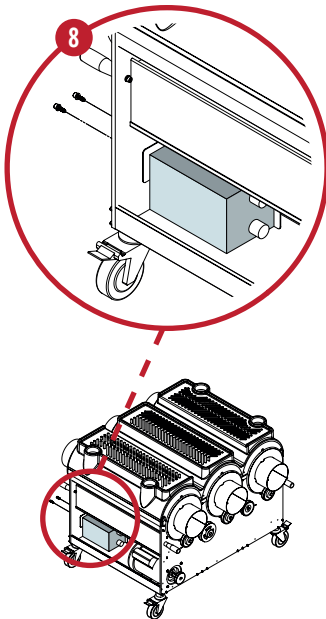
### STEP 7

INSTALL CONTROL BOX ONTO THE CONTROL BOX MOUNT PLATE USING 2 SCREWS.  
3/16" T-HANDLE ALLEN WRENCH.



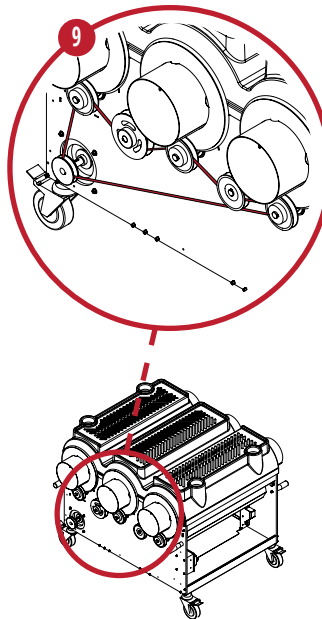
### STEP 8

INSTALL CONTROL BOX MOUNT PLATE USING 2 NEW DRILLED HOLES WITH 2 NEW SCREWS. ORIENTATE CONTROL BOX AS SHOWN.  
5/32" T-HANDLE ALLEN WRENCH.



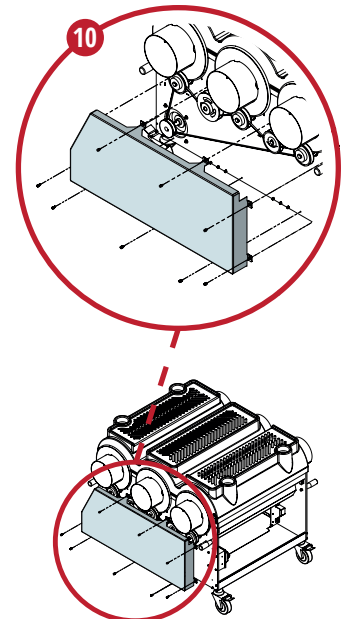
### STEP 9

INSTALL THE BELT BACK ON TO THE PULLEYS USING A PRYBAR OR SCREWDRIVER.  
DO NOT PRY AGAINST BEARING.



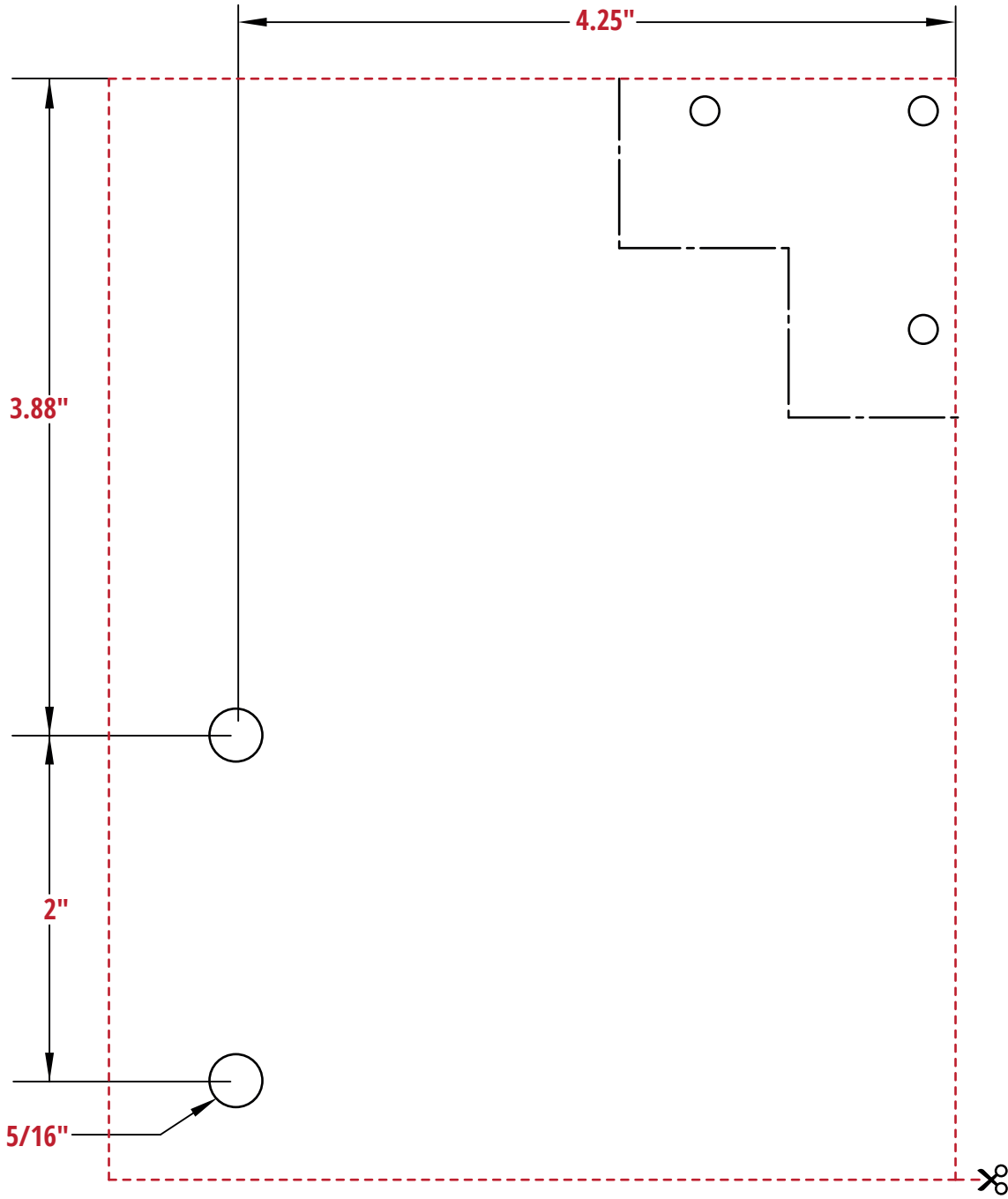
### STEP 10

RE-INSTALL BELT COVER.  
5/32" T-HANDLE ALLEN WRENCH.



# ASSEMBLY - 3.0 DRILL TEMPLATE

\* Template made to scale.



\* ONLY CUT  
ALONG RED  
DOTTED LINE.

TOOLS REQUIRED

SIZE	TOOL ITEM
	Drill
5/16"	Drill Bit (Included)
5/32"	T-Handle Allen Wrench
3/16"	T-Handle Allen Wrench
5/16"	T-Handle Allen Wrench

LEARN  
HOW NOW

