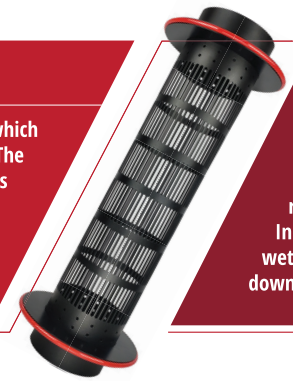




UPGRADES+ACCESSORIES

QUANTANIUM COATING

Upgrade to Quantumium Coated Tumblers, which provide 40% greater trichome preservation. The multi-layer non-stick technology stops precious resin glands from sticking to the tumbler, without harmful chemicals. Minimize downtime for cleaning, with only a quick wipe down required to remove any residue.



VARIABLE SPEED CONTROL

Find your speed with Variable Speed Control. Variable Speed Control empowers growers to better trim a wider variety of strains, regardless of flower size, shape or density. Increase velocity for a higher feed rate with wet or heavy resin coated buds, or slow it down to be extra delicate on dried flower.



RAIL SYSTEMS LINE 'EM UP IN TANDEM

Rail Systems enable growers to connect CenturionPro trimmers end-to-end, for an enhanced cannabis and hemp harvesting solution. Connecting machines delivers exponentially greater power and precision, with growers empowered to better match throughput to grow size and increase capacity as they expand.

TABLETOP RAIL SYSTEMS

UP TO **55*** LBS/HR



MACHINES	WET TRIM	DRY TRIM	DIMENSIONS	TOT. WEIGHT
2	35 lbs	7 lbs	53" L x 16" W x 26" H	120 lbs
3	55 lbs	11 lbs	78" L x 16" W x 28" H	200 lbs

MINI RAIL SYSTEMS

UP TO **125*** LBS/HR



MACHINES	WET TRIM	DRY TRIM	DIMENSIONS	TOT. WEIGHT
2	75 lbs	15 lbs	65" L x 14" W x 36" H	200 lbs
3	125 lbs	25 lbs	92" L x 14" W x 38" H	310 lbs

ORIGINAL/SILVER BULLET RAIL SYSTEMS

UP TO **180*** LBS/HR



MACHINES	WET TRIM	DRY TRIM	DIMENSIONS	TOT. WEIGHT
2	110 lbs	22 lbs	65" L x 13" W x 36" H	220 lbs
3	180 lbs	36 lbs	95" L x 13" W x 38" H	340 lbs

GLADIATOR RAIL SYSTEMS

UP TO **270*** LBS/HR



MACHINES	WET TRIM	DRY TRIM	DIMENSIONS	TOT. WEIGHT
2	165 lbs	33 lbs	73" L x 55" W x 42" H	470 lbs
3	270 lbs	54 lbs	105" L x 55" W x 42" H	690 lbs

3.0 RAIL SYSTEMS

UP TO **450*** LBS/HR



MACHINES	WET TRIM	DRY TRIM	DIMENSIONS	TOT. WEIGHT
2	275 lbs	55 lbs	81" L x 61" W x 48" H	770 lbs
3	450 lbs	90 lbs	120" L x 61" W x 48" H	1130 lbs

BUCKERS THE BUCK STARTS HERE

GC Buckers: GC refers to "Gentle Cut" as we appreciate and understand how delicate flowers are. This bucker cuts the flowers off the stem, which prevents the large crown buds from breaking apart into smaller pieces. This keeps the structure of the buds fully intact preserving the look of the flower.

GC3 BUCKER
BUCK UP TO **120** LBS/HR

FEED WET UP TO 120 LBS/HR | FEED DRY UP TO 24 LBS/HR | REPLACES UP TO 9 HUMAN WORKERS

GC3 - SPECIFICATIONS

Input Voltage	25 Amp - 110V NA
Workers Needed	up to 3
Warranty	5 years

GC1 BUCKER
BUCK UP TO **40** LBS/HR

FEED WET UP TO 40 LBS/HR | FEED DRY UP TO 8 LBS/HR | REPLACES UP TO 3 HUMAN WORKERS

GC1 - SPECIFICATIONS

Input Voltage	6 Amp - 110V NA
Workers Needed	1
Warranty	5 years

GC MINI BUCKER
BUCK UP TO **20** LBS/HR

FEED WET UP TO 20 LBS/HR | FEED DRY UP TO 4 LBS/HR | REPLACES UP TO 2 HUMAN WORKERS

GC MINI - SPECIFICATIONS

Input Voltage	5 Amp - 110V NA
Workers Needed	1
Warranty	2 years

THE COMPLETE TABLETOP SYSTEM

100% HOME GROWN

The system comes complete with one HP TableTop Bucker & stand and one TableTop Trimmer & Leaf Collection System.

HP Buckers: HP refers to "High Performance" and utilizes two rollers that pull the stem into the machine and pop the flowers off. This allows you to continuously feed the bucker for more efficient de-stemming and results in the industry's highest buck rate per hour.

HP3 BUCKER
BUCK UP TO **500** LBS/HR

FEED WET UP TO 500 LBS/HR | FEED DRY UP TO 100 LBS/HR | REPLACES UP TO 21 HUMAN WORKERS

HP3 - SPECIFICATIONS

Input Voltage	15 Amp - 120V NA
Workers Needed	up to 3
Warranty	10 years

HP1 BUCKER
BUCK UP TO **175** LBS/HR

FEED WET UP TO 175 LBS/HR | FEED DRY UP TO 35 LBS/HR | REPLACES UP TO 7 HUMAN WORKERS

HP1 - SPECIFICATIONS

Input Voltage	5 Amp - 110V NA
Workers Needed	1
Warranty	10 years

HP MINI BUCKER
BUCK UP TO **125** LBS/HR

FEED WET UP TO 125 LBS/HR | FEED DRY UP TO 25 LBS/HR | REPLACES UP TO 6 HUMAN WORKERS

HP MINI - SPECIFICATIONS

Input Voltage	6 Amp - 120V NA
Workers Needed	1
Warranty	5 years

HP TABLETOP BUCKER
BUCK UP TO **75** LBS/HR

FEED WET UP TO 75 LBS/HR | FEED DRY UP TO 15 LBS/HR | REPLACES UP TO 4 HUMAN WORKERS

HP TABLETOP BUCKER - SPECIFICATIONS

Input Voltage	< 3 Amp - 110V NA
Workers Needed	1
Warranty	2 years

PERFECT FOR HOME GROWERS AND SMALL OPERATIONS.

From start-to-finish, the TableTop and HP TableTop Bucker combination features a dynamic configuration which harvests your grow at an exceptional rate. The bucked flowers fall automatically into the Trimmer's hopper making it the market's most cost-efficient yet comprehensive harvesting system.



BEST IN THE BATCH DRY BATCH TRIMMERS

Available in 5 models, the DBT line of Trimmers expand on CenturionPro's vision of a trimmer for every harvest. From home grower to large commercial grows, there is a DBT machine that's right for you. Featuring soft tumble technology and *variable speed control for enhanced versatility, the CenturionPro Dry Batch Trimmers apply the perfect cut every time regardless of flower size, shape or density.

FOR HOME GROWERS



SEE IT IN ACTION!



DBT MODEL 1
TRIM DRY UP TO **10** LBS/HR

FOR SMALL HARVESTS



SEE IT IN ACTION!



DBT MODEL 2
TRIM DRY UP TO **20** LBS/HR

Includes:
- Speed Control

FOR MEDIUM - LARGE HARVESTS



SEE IT IN ACTION!



DBT MODEL 3
TRIM DRY UP TO **50** LBS/HR

Includes:
- Speed Control
- Adjustable angle stand

FOR LARGE HARVESTS



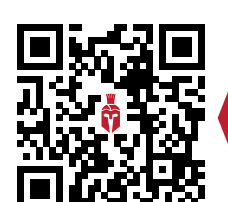
SEE IT IN ACTION!



DBT MODEL 4
TRIM DRY UP TO **108** LBS/HR

Includes:
- Speed Control
- Adjustable angle stand
- Timer dial

FOR LARGER HARVESTS



SEE IT IN ACTION!



DBT MODEL 5
TRIM DRY UP TO **216** LBS/HR

Includes:
- Speed Control
- Adjustable angle stand
- Timer dial

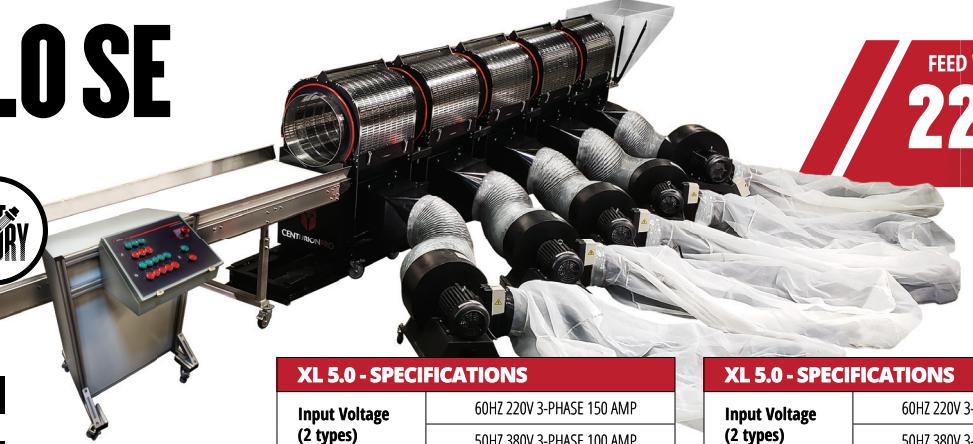
GET 2 MACHINES IN 1!

*Kief Filter Screen Upgrade available on all models

XL'ERATE YOUR HARVEST

INDUSTRIAL MACHINES Do you have a commercial operation that requires industrial scale harvesting machines? Experience unparalleled feed rates by processing up to 3000 lbs of wet material (600 lbs dry) per hour with our comprehensive line of XL trimming and bucking systems. Visit our website at <https://cprosolutions.com/industrial-machines/> for more details or call us at 1-855-535-0558 for a free consultation.

XL 5.0 + 5.0 SE



FEED WET UP TO **2250** LBS/HR

XL 5.0 - SPECIFICATIONS

Input Voltage (2 types)	60HZ 220V 3-PHASE 150 AMP 50HZ 380V 3-PHASE 100 AMP
Feed Rate	UP TO 1500 LBS/HR WET UP TO 300 LBS/HR DRY
Blades per Reel	10 x 11-BLADE (26")

XL 5.0 - SPECIFICATIONS

Input Voltage (2 types)	60HZ 220V 3-PHASE 150 AMP 50HZ 380V 3-PHASE 100 AMP
Feed Rate	UP TO 2250 LBS/HR WET UP TO 450 LBS/HR DRY
Blades per Reel	15 x 11-BLADE (26")

XL 10.0



FEED WET UP TO **3000** LBS/HR

XL 10.0 - SPECIFICATIONS

Input Voltage (2 types)	60HZ 220V 3-PHASE 150 AMP 50HZ 380V 3-PHASE 100 AMP
Feed Rate	UP TO 3,000 LBS/HR WET UP TO 600 LBS/HR DRY
Blades per Reel	20 x 11-BLADE (26")

XL MEGABUCKER



FEED WET UP TO **2400** LBS/HR

XL 5.0 - SPECIFICATIONS

Input Voltage	60HZ 220V, 70 AMP max draw
Feed Rate	UP TO 2,400 LBS/HR WET UP TO 480 LBS/HR DRY
Variable Roller (RPM)	0-140 RPM



*Feed rate is based on a triple machine rail system. NOTE: All information on this brochure is correct as of August 2021



SS TRIMMERS MAKE THE GRADE

Constructed in 304 stainless steel and nickel plated aluminum the SS Trimmers are built to meet industry compliance and surpass industry expectations. Featuring a food-grade hopper, speed control, nitrided cutting blades, double sealed bearing chamber, and maintenance free food-grade stainless steel bearings.

TRIMMER SPECIFICATIONS	
Input Voltage	6 Amp - 110V NA
	3 Amp - 220V EU/AUS
Dimensions	25" L x 8.25" W x 19.25" H
Weight	53 lbs
Tumbler Diameter	5.5"
Cuts Per Minute	2,500 to 25,000
Blades Per Reel	7
Warranty	10 years

BLOWER SPECIFICATIONS	
Input Voltage	12 Amp - 110V NA
	6 Amp - 220V EU/AUS
Dimensions	16" L x 13.5" W x 13.5" H
Weight	20 lbs
Horse Power	1 hp
Airflow Capacity	1800 CFM
Warranty	3 years

FOR HOME GROWERS

UP TO **55** LBS/HR

SEE IT IN ACTION!

TABLETOP'S	FEED WET UP TO (LBS/HR)	FEED DRY UP TO (LBS/HR)
1	15	3
2	35	7
3	55	11

TRIMMER SPECIFICATIONS	
Input Voltage	6 Amp - 110V NA
	3 Amp - 220V EU/AUS
Dimensions	28" L x 12" W x 25" H
Weight	85 lbs
Tumbler Diameter	6.5"
Cuts Per Minute	3,500 to 35,000
Blades Per Reel	11
Warranty	10 years

BLOWER SPECIFICATIONS	
Input Voltage	14 Amp - 110V NA
	7 Amp - 220V EU/AUS
Dimensions	19" L x 19" W x 16" H
Weight	77 lbs
Horse Power	1.5 hp
Airflow Capacity	2000 CFM
Warranty	3 years

FOR SMALL HARVESTS

UP TO **125** LBS/HR

SEE IT IN ACTION!

MINI'S	FEED WET UP TO (LBS/HR)	FEED DRY UP TO (LBS/HR)
1	35	7
2	75	15
3	125	25

TRIMMER SPECIFICATIONS	
Input Voltage	6 Amp - 110V NA
	3 Amp - 220V EU/AUS
Dimensions	30" L x 13" W x 25.5" H
Weight	97 lbs
Tumbler Diameter	6.5"
Cuts Per Minute	5,500 to 55,000
Blades Per Reel	11
Warranty	10 years

BLOWER SPECIFICATIONS	
Input Voltage	15 Amp - 220V NA
	3 Amp - 220V EU/AUS
Dimensions	18.5" L x 20" W x 20" H
Weight	117 lbs
Horse Power	3 hp
Airflow Capacity	2,750 CFM
Warranty	3 years

FOR MEDIUM HARVESTS

UP TO **180** LBS/HR

SEE IT IN ACTION!

ORIGINAL'S	FEED WET UP TO (LBS/HR)	FEED DRY UP TO (LBS/HR)
1	50	10
2	110	22
3	180	36

TRIMMER SPECIFICATIONS	
Input Voltage	7 Amp - 110V NA
	3.5 Amp - 220V EU/AUS
Dimensions	30.5" L x 25" W x 28" H
Weight	196 lbs
Tumbler Diameter	6.5" (x2)
Cuts Per Minute	11,000 to 110,000
Blades Per Reel	11 (x2)
Warranty	10 years

BLOWER SPECIFICATIONS	
Input Voltage	22 Amp - 220V NA
	22 Amp - 220V EU/AUS
Dimensions	19" L x 22" W x 23" H
Weight	105 lbs
Horse Power	4 hp
Airflow Capacity	3,500 CFM
Warranty	3 years

FOR LARGE HARVESTS

UP TO **270** LBS/HR

SEE IT IN ACTION!

GLADIATOR'S	FEED WET UP TO (LBS/HR)	FEED DRY UP TO (LBS/HR)
1	75	15
2	165	33
3	270	54

TRIMMER SPECIFICATIONS	
Input Voltage	13 Amp - 110V NA
	6.5 Amp - 220V EU/AUS
Dimensions	38" L x 38" W x 31.5" H
Weight	331 lbs
Tumbler Diameter	6.5" (x3)
Cuts Per Minute	20,000 to 200,000
Blades Per Reel	11 (x3)
Warranty	10 years

BLOWER SPECIFICATIONS	
Input Voltage	21 Amp - 110V 3-Phase NA
	11 Amp - 380V 3-Phase EU/AUS
Dimensions	29" L x 28" W x 25" H
Weight	204 lbs
Horse Power	8 hp
Airflow Capacity	7,108 CFM
Warranty	3 years

FOR LARGER HARVESTS

UP TO **450** LBS/HR

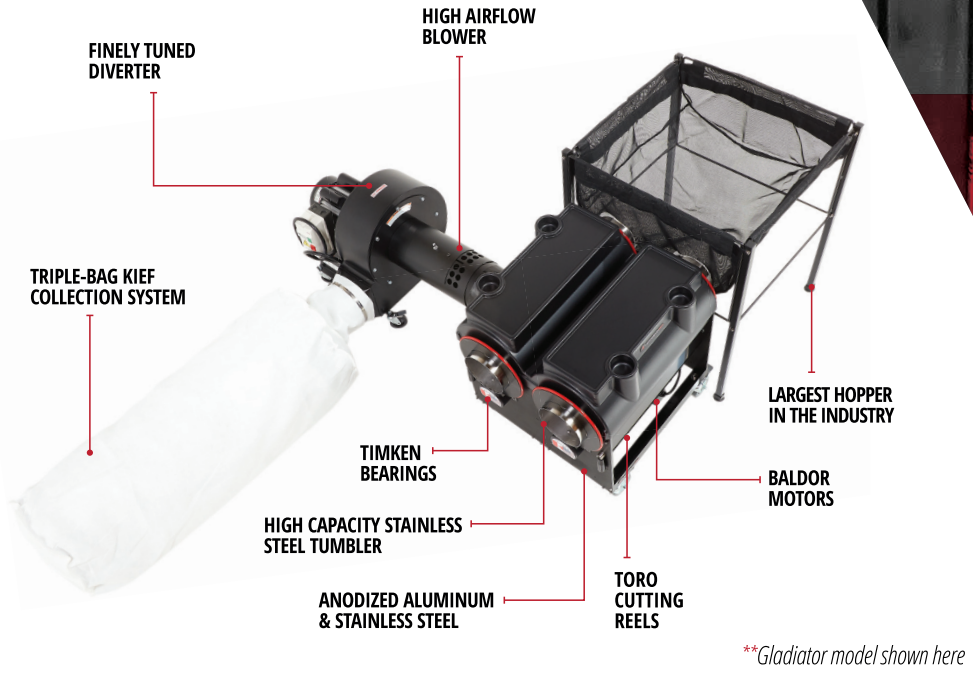
SEE IT IN ACTION!

3.0'S	FEED WET UP TO (LBS/HR)	FEED DRY UP TO (LBS/HR)
1	125	25
2	275	55
3	450	90

*Feed rate is based on a triple machine rail system. *1-Phase 6hp Blower Available Upon Request.



Everything included with your CenturionPro automated trimmer.



**Gladiator model shown here

DUAL PURPOSE HYBRID TUMBLER

CenturionPro's machines are designed to process both wet and dry cannabis or hemp. The stainless steel dual-purpose hybrid tumbler performs better than most wet and dry tumblers, with the enlarged tumbler diameter improving efficiency. This effectively provides growers two elite trimming solutions in a single machine.



QUANTANIUM COATED TUMBLER

Quantanium is a multi-layer non-stick coating developed with a unique blend of titanium particles mixed into each coat. The reinforced non-stick finish protects trichomes to preserve potency, while providing superior resistance to scratching, abrasion and wear compared to conventional anti-adhesive coatings.

RELIABLE INDUSTRIAL SIMPLE EFFICIENT

WITNESS THE RISE

ARE YOU HARVEST READY? FIND YOUR SOLUTION AT CPROSOLUTIONS.COM



cprosolutions.com | 1 855 535 0558 | sales@cprosolutions.com | FOLLOW US ON: [Social Media Icons]

ARE YOU HARVEST READY? CENTURIONPRO WET+DRY TRIMMERS

The Trimmers that started it all. The CenturionPro Wet & Dry Trimmers continue to prove themselves time and time again. Composed of anodized aluminum and stainless steel, they are as rugged as they are powerful.

TABLETOP

UP TO **55** LBS/HR

SEE IT IN ACTION!

TABLETOP'S	FEED WET UP TO (LBS/HR)	FEED DRY UP TO (LBS/HR)
1	15	3
2	35	7
3	55	11

FOR HOME GROWERS

UP TO **55** LBS/HR

SEE IT IN ACTION!

TRIMMER SPECIFICATIONS	
Input Voltage	6 Amp - 110V NA
	3 Amp - 220V EU/AUS
Dimensions	25" L x 8.25" W x 19.25" H
Weight	53 lbs
Tumbler Diameter	5.5"
Cuts Per Minute	20,000
Blades Per Reel	7
Warranty	10 years

BLOWER SPECIFICATIONS	
Input Voltage	12 Amp - 110V NA
	6 Amp - 220V EU/AUS
Dimensions	16" L x 13.5" W x 13.5" H
Weight	20 lbs
Horse Power	1 hp
Airflow Capacity	1800 CFM
Warranty	3 years

MINI

UP TO **125** LBS/HR

SEE IT IN ACTION!

MINI'S	FEED WET UP TO (LBS/HR)	FEED DRY UP TO (LBS/HR)
1	35	7
2	75	15
3	125	25

FOR SMALL HARVESTS

UP TO **125** LBS/HR

SEE IT IN ACTION!

TRIMMER SPECIFICATIONS	
Input Voltage	6 Amp - 110V NA
	3 Amp - 220V EU/AUS
Dimensions	28" L x 12" W x 25" H
Weight	85 lbs
Tumbler Diameter	6.5"
Cuts Per Minute	25,000
Blades Per Reel	11
Warranty	10 years

BLOWER SPECIFICATIONS	
Input Voltage	14 Amp - 110V NA
	7 Amp - 220V EU/AUS
Dimensions	19" L x 19" W x 16" H
Weight	77 lbs
Horse Power	1.5 hp
Airflow Capacity	2000 CFM
Warranty	3 years

ORIGINAL & SILVER BULLET

UP TO **180** LBS/HR

SEE IT IN ACTION!

ORIGINAL'S	FEED WET UP TO (LBS/HR)	FEED DRY UP TO (LBS/HR)
1	50	10
2	110	22
3	180	36

FOR MEDIUM HARVESTS

UP TO **180** LBS/HR

SEE IT IN ACTION!

TRIMMER SPECIFICATIONS	
Input Voltage	6 Amp - 110V NA
	3 Amp - 220V EU/AUS
Dimensions	30" L x 13" W x 25.5" H
Weight	97 lbs
Tumbler Diameter	6.5"
Cuts Per Minute	37,500
Blades Per Reel	11
Warranty	10 years

BLOWER SPECIFICATIONS	
Input Voltage	15 Amp - 220V NA
	15 Amp - 220V EU/AUS
Dimensions	18.5" L x 20" W x 20" H
Weight	117 lbs
Horse Power	3 hp
Airflow Capacity	2,750 CFM
Warranty	3 years

GLADIATOR

UP TO **270** LBS/HR

SEE IT IN ACTION!

GLADIATOR'S	FEED WET UP TO (LBS/HR)	FEED DRY UP TO (LBS/HR)
1	75	15
2	165	33
3	270	54

FOR LARGE HARVESTS

UP TO **270** LBS/HR

SEE IT IN ACTION!

TRIMMER SPECIFICATIONS	
Input Voltage	7 Amp - 110V NA
	3.5 Amp - 220V EU/AUS
Dimensions	30.5" L x 25" W x 28" H
Weight	196 lbs
Tumbler Diameter	6.5" (x2)
Cuts Per Minute	75,000
Blades Per Reel	11 (x2)
Warranty	10 years

BLOWER SPECIFICATIONS	
Input Voltage	22 Amp - 220V NA
	22 Amp - 220V EU/AUS
Dimensions	19" L x 22" W x 23" H
Weight	105 lbs
Horse Power	4 hp
Airflow Capacity	3,500 CFM
Warranty	3 years

3.0+ SPEED CONTROL

UP TO **450** LBS/HR

SEE IT IN ACTION!

3.0'S	FEED WET UP TO (LBS/HR)	FEED DRY UP TO (LBS/HR)
1	125	25
2	275	55
3	450	90

FOR LARGER HARVESTS

UP TO **450** LBS/HR

SEE IT IN ACTION!

TRIMMER SPECIFICATIONS	
Input Voltage	13 Amp - 110V NA
	6.5 Amp - 220V EU/AUS
Dimensions	38" L x 38" W x 31.5" H
Weight	331 lbs
Tumbler Diameter	6.5" (x3)
Cuts Per Minute	20,000 to 200,000
Blades Per Reel	11 (x3)
Warranty	10 years

BLOWER SPECIFICATIONS	
Input Voltage	21 Amp - 110V 3-Phase NA
	11 Amp - 380V 3-Phase EU/AUS
Dimensions	29" L x 28" W x 25" H
Weight	204 lbs
Horse Power	8 hp
Airflow Capacity	7,108 CFM
Warranty	3 years

*Feed rate is based on a Triple Machine Rail System.

*1-Phase 6hp Blower Available Upon Request.