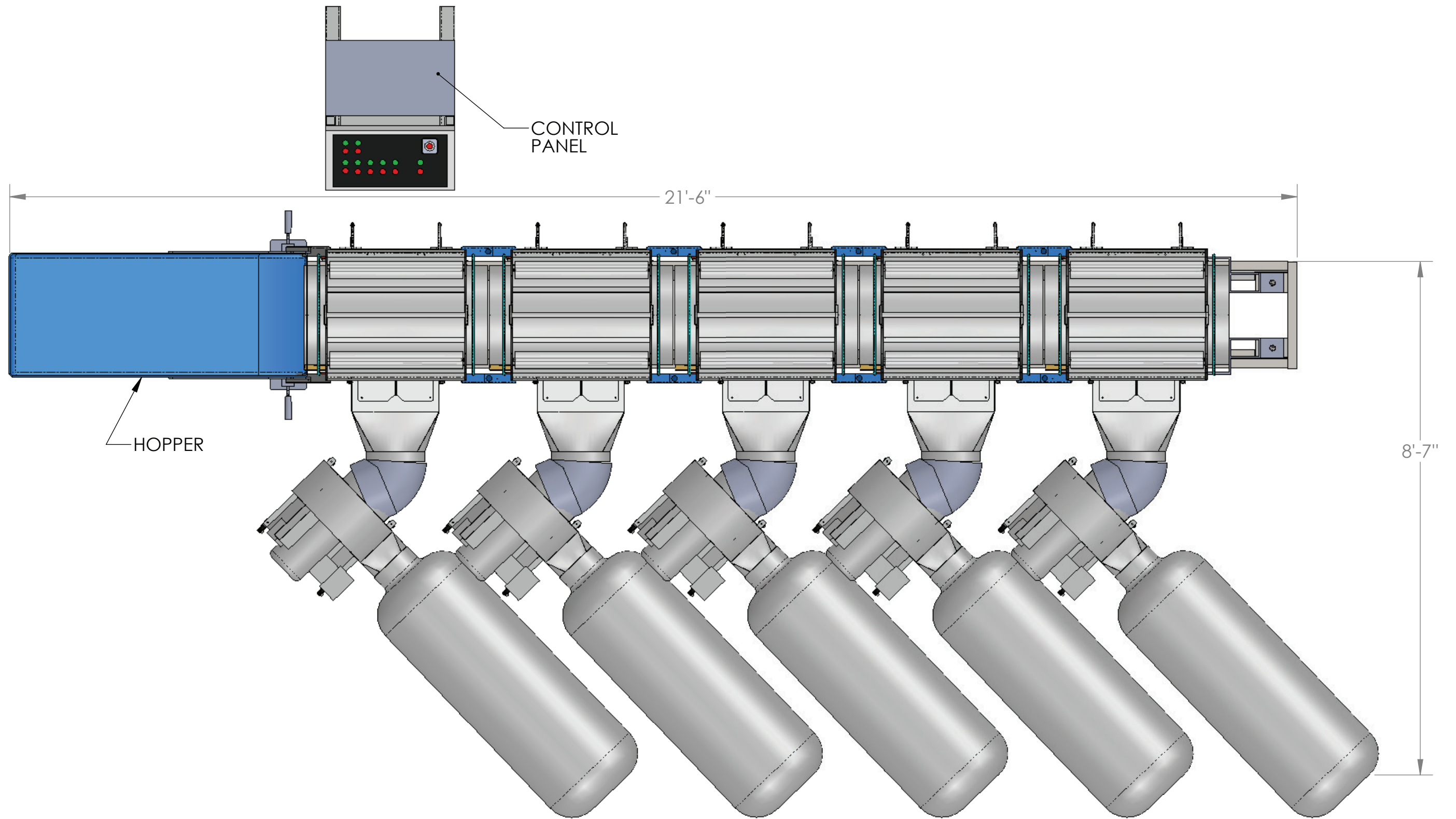


TITLE: XL 5.0 SYSTEM

UNLESS OTHERWISE SPECIFIED:
 DIMENSIONS ARE IN INCHES
 TOLERANCES:
 FRACTIONAL ± 0.030
 ANGULAR: MACH $\pm 1^\circ$ BEND \pm
 TWO PLACE DECIMAL $\pm .010$
 THREE PLACE DECIMAL $\pm .005$

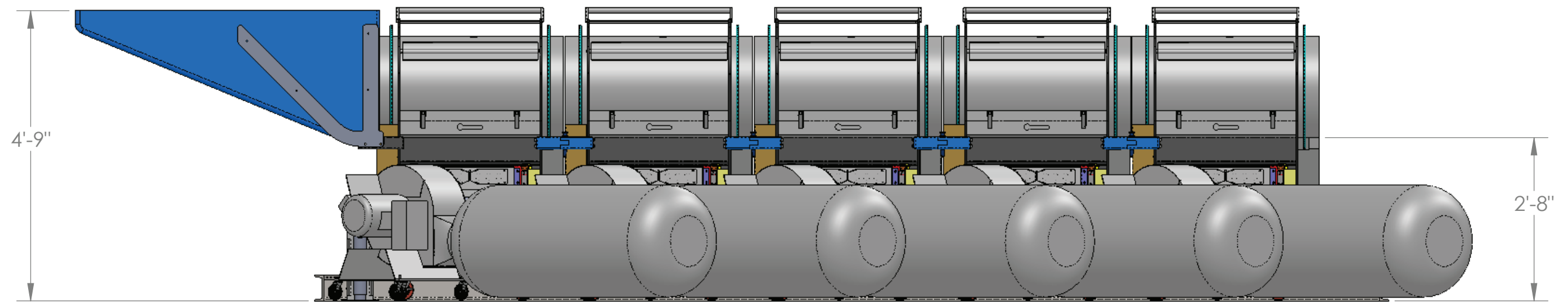
| SIZE | DWG. 3-D. | REV |
|------|-----------------------|-----|
| A | 5.0 Complete + Hopper | - |



TITLE: XL 5.0 SYSTEM

UNLESS OTHERWISE SPECIFIED:
 DIMENSIONS ARE IN INCHES
 TOLERANCES:
 FRACTIONAL ±0.030
 ANGULAR: MACH ± 1° BEND ±
 TWO PLACE DECIMAL ±.010
 THREE PLACE DECIMAL ±.005

| SIZE | DWG. TOP. | REV |
|------|-----------------------|-----|
| A | 5.0 Complete + Hopper | - |



TITLE: XL 5.0 SYSTEM

UNLESS OTHERWISE SPECIFIED:
 DIMENSIONS ARE IN INCHES
 TOLERANCES:
 FRACTIONAL ± 0.030
 ANGULAR: MACH $\pm 1^\circ$ BEND \pm
 TWO PLACE DECIMAL $\pm .010$
 THREE PLACE DECIMAL $\pm .005$

| SIZE | DWG. SIDE. | REV |
|------|-----------------------|-----|
| A | 5.0 Complete + Hopper | - |