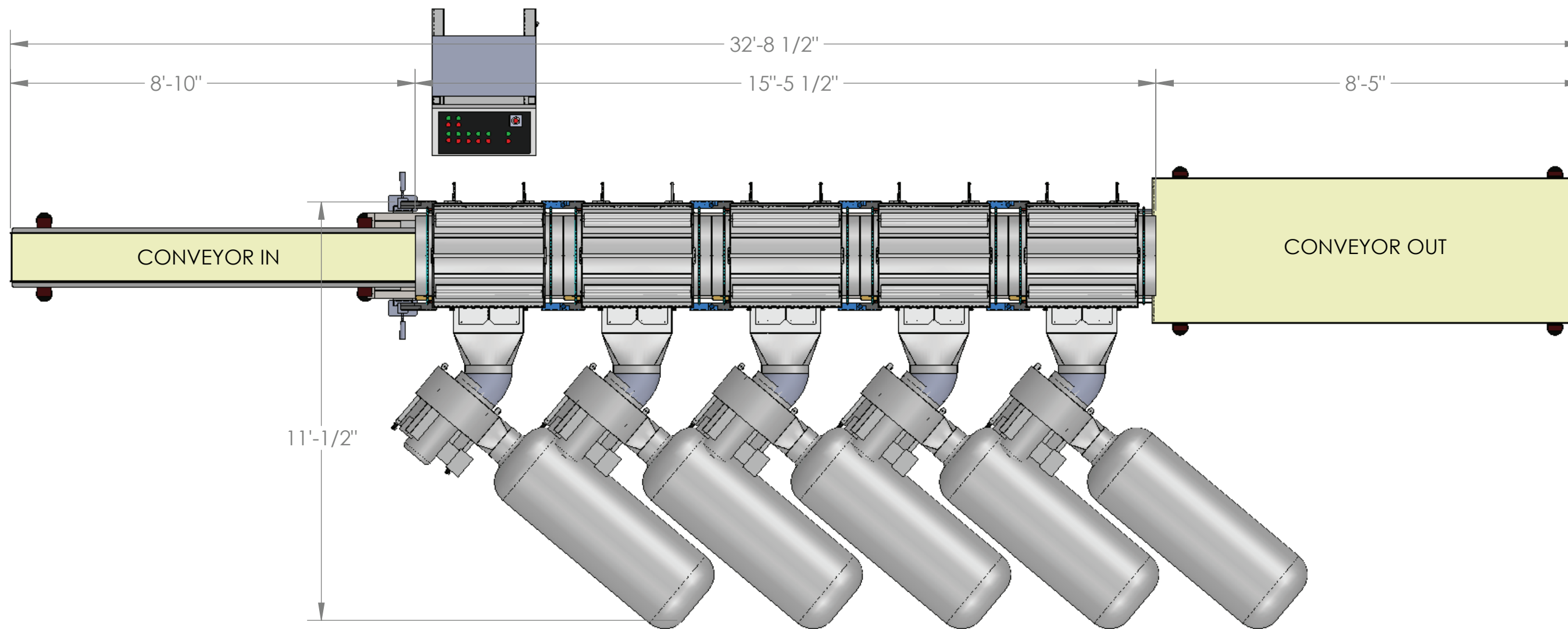


TITLE: XL 5.0 SYSTEM

UNLESS OTHERWISE SPECIFIED:
 DIMENSIONS ARE IN INCHES
 TOLERANCES:
 FRACTIONAL ± 0.030
 ANGULAR: MACH $\pm 1^\circ$ BEND \pm
 TWO PLACE DECIMAL $\pm .010$
 THREE PLACE DECIMAL $\pm .005$

SIZE	DWG. 3-D.	REV
A	5.0 Complete + Conveyors	-

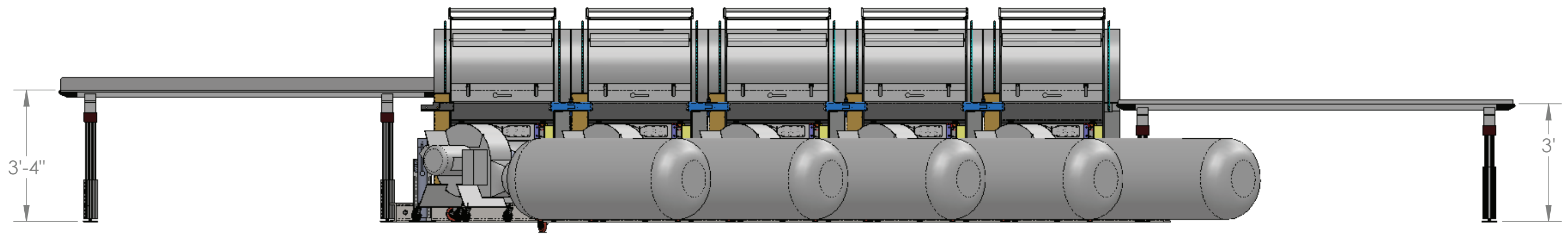


UNLESS OTHERWISE SPECIFIED:
 DIMENSIONS ARE IN INCHES
 TOLERANCES:
 FRACTIONAL ±0.030
 ANGULAR: MACH ± 1° BEND ±
 TWO PLACE DECIMAL ±.010
 THREE PLACE DECIMAL ±.005



TITLE: XL 5.0 SYSTEM

SIZE	DWG. TOP.	REV
A	5.0 Complete + Conveyors	-



UNLESS OTHERWISE SPECIFIED:
 DIMENSIONS ARE IN INCHES
 TOLERANCES:
 FRACTIONAL ±0.030
 ANGULAR: MACH ± 1° BEND ±
 TWO PLACE DECIMAL ±.010
 THREE PLACE DECIMAL ±.005



TITLE: XL 5.0 SYSTEM

SIZE	DWG. SIDE.	REV
A	5.0 Complete + Conveyors	-